

INVERTED BUCKET STEAM TRAPS IBB 12

DESCRIPTION

IBB12 series inverted bucket steam traps are recommended for all services where the most important requirements are overall operating efficiency and long, trouble-free service life.

They operate intermittently, either wide open or tightly closed and are therefore best suited for service at medium and high steam pressures.

Connections are female screwed for horizontal installation.

MAIN FEATURES

Intermittent discharge.

Discharges condensate at steam temperature.

Unaffected by water hammer and vibrations.

Easy to maintain.

USE: Saturated and superheated steam.

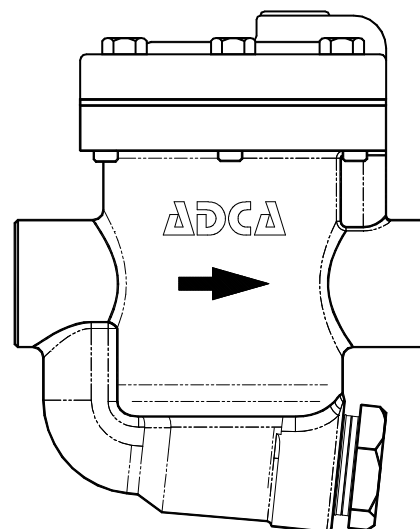
AVAILABLE

MODELS: IBB 12-4; IBB12-8; IBB12-12.

SIZES: DN 3/4" – 1"

CONNECTIONS: Female screwed ISO7/1 Rp (BS21)
Threaded flanges on request

INSTALLATION: Horizontal installation
See IMI installation and maintenance instructions.



BODY LIMITING CONDITIONS	
THREADED PN16 ALLOW. PRES.	RELATED TEMP.
16 bar	100 °C
15,5 bar	150 °C
14,7 bar	200 °C
13,9 bar	250 °C

PMO - Max. operating pressure 14 bar

TMO - Max. operating temperature 198 °C

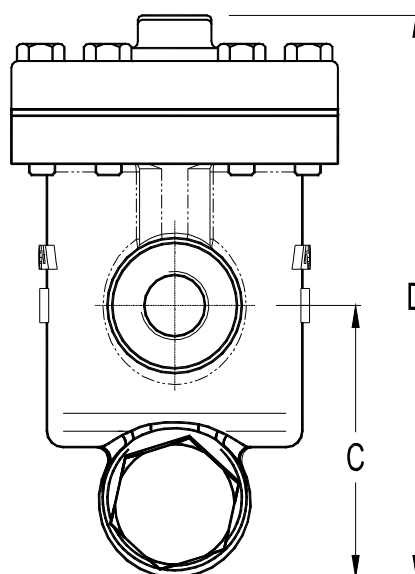
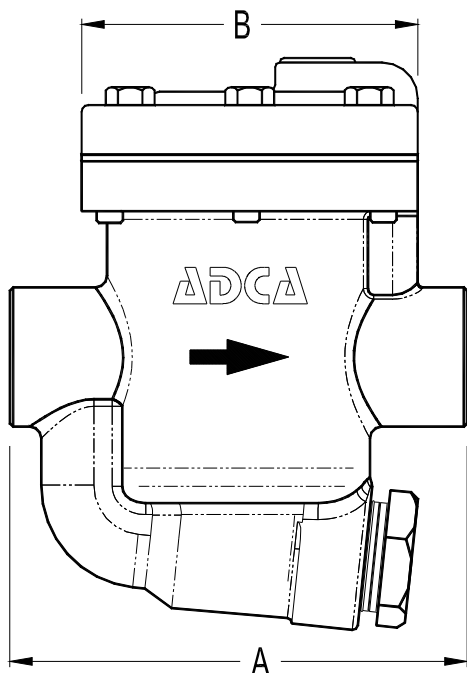
MAX. DIFFERENTIAL PRESSURE

IBB12 - 4 : 4 bar

IBB12 - 8 : 8 bar

IBB12-12 : 12 bar

FLOW RATE CAPACITY IN Kgs/h												
MODEL	SIZE	DIFFERENTIAL PRESSURE (bar)										
		1	2	3	4	5	6	7	8	10	11	12
IBB12-4	3/4" - 1"	1090	1340	1550	1670							
IBB12-8	3/4" - 1"	725	910	1030	1100	1160	1210	1250	1290			
IBB12-12	3/4" - 1"	570	720	810	860	920	950	985	1010	1060	1080	1100



DIMENSIONS (mm)					
SIZE DN	A	B	C	D	WGT. Kgs
3/4"	175	150	127	219	7
1"	175	150	127	219	6,9

MATERIALS		
POS.Nr.	DESIGNATION	MATERIAL
1	Body	GJS-400-15 / 0.7040
2	Cover	GJS-400-15 / 0.7040
3	*Gasket	Stainless St. / Graphite
4	*Seat	AISI 410 / 1.4006
5	*Valve	AISI 410 / 1.4006
6	*Lever	AISI 304 / 1.4301
7	*Bucket	AISI 304 / 1.4301
8	*Strainer screen	AISI 304 / 1.4301
9	Gasket	Stainless St. / Graphite
10	Plug	A105 / 1.0432
11	Bolts	Steel 8.8

* Available spare parts

