

DOUBLE WINDOW SIGHT GLASS DW40S (DN 32 – DN 50)

DESCRIPTION

For monitoring the right operation of a steam trap to avoid leakage of live steam and consequently big energy losses, a sight glass is recommended to be installed downstream of the steam trap.

Double window DW sight glass, has been designed for this particular application.

Connections are female screwed or flanged.

OPTIONS: Stainless steel construction
USE: Condensate pipes downstream steam traps.

AVAILABLE MODELS: DW 40 S

SIZES: DN 1 1/4" to DN 2 " ; DN 32 to DN 50

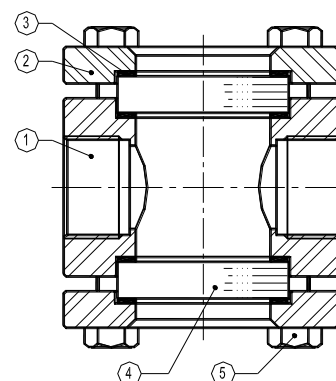
CONNECTIONS: Female screwed ISO 7/1Rp(BS21).
NPT (ANSI B1.20.1)
Flanged EN 1092-1 or ANSI

INSTALLATION: Horizontal or vertical installation.
See IMI, installation and maintenance instructions.

PMO – Max. operating pressure 25 bar

TMO – Max. operating temperature 280 °C

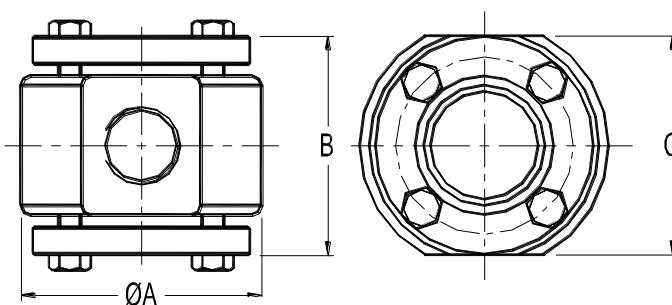
How to order: i.e. DW40 DN 2" BSP.


CE MARKING (PED - European Directive 97/23/EC)

PN 40	Category
DN 32	SEP - art. 3, paragraph 3
DN 40-50	1 (CE Marked)

DIMENSIONS (mm)-Screwed EN 1092-1 Flanges

SIZE DN	A	B	C	WGT. Kgs	D	WGT. Kgs
32	130	115	114	6,2	180	9,5
40	130	115	114	6,5	200	10,5
50	130	125	114	7,5	230	12,5


MATERIALS

POS.Nr.	DESIGNATION	MATERIAL
1	Body	S355J2G3 / 1.0570 ; P250GH / 1.0460
2	Glass nut	S355J2G3 / 1.0570
3	* Gasket	St.Steel / Graphite
4	* Window glass	Borosilicate
5	Bolts	Steel 8.8

*Available spare parts.

