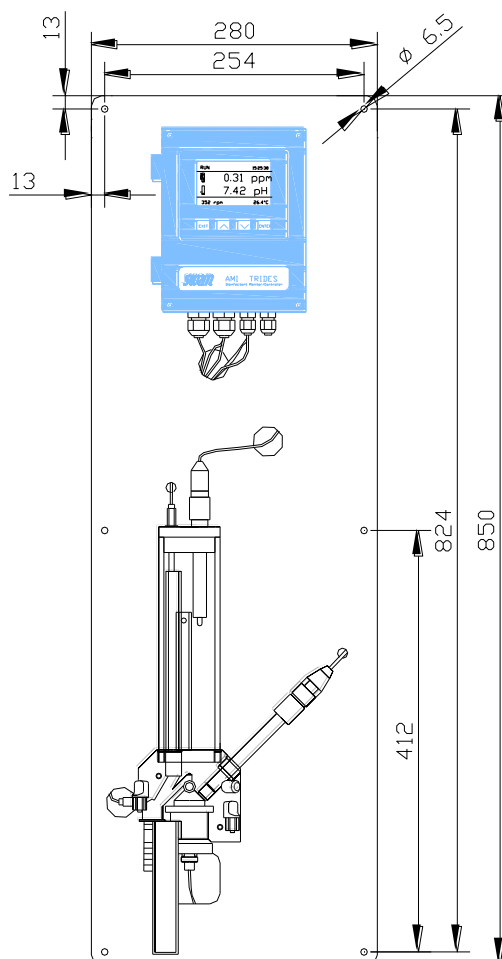


Microprocessor controlled system for the automatic and continuous measurement of disinfectants in potable water and swimming pools

Monitor AMI Trides

- Complete system for monitoring and controlling of disinfectant levels.
- Range 0.00 - 5.00 ppm free chlorine, 0.000 - 1.000 ppm ozone, 0.00 - 3.00 ppm chlorine dioxide, iodine, bromine.
- Transmitter, disinfectant sensor, temperature sensor, flow sensor and flow cell, mounted on PVC panel, factory tested and ready to operate.
- Real-time-pH-compensation of chlorine measurement with integrated pH-meter (optional pH sensor).
- Measuring transmitter in an aluminum case (IP 66) 180 x 140 x 70 mm.
- Large backlit graphic display for the reading of measuring value, flow and operating status. Full text menu driven user interface.
- Easy programming of all parameters by keypad.
- Sensor: Self-cleaning TRIDES three-electrode-system for measurement of disinfectants.
- Automatic temperature compensation.
- Monitoring of sample flow and sensor cleaning.
- Over voltage protection for in- and outputs.
- Two signal outputs, galvanically separated from sensor input 0/4 - 20 mA for disinfectant or temperature or as continuous control outputs.
- Signal outputs freely scaleable and with simulation mode.
- Potential-free alarm contact as summary alarm indication for programmable alarm values and for instrument faults.
- Two potential-free contacts programmable as limit switch or PID-control.
- Input for potential-free contact, function programmable.



Options:

- Communication interface for transmitter.
- pH electrode with cable or ORP (Redox) electrode with cable.
- O-Ring set for ozone measurement.

Order Nr.	Monitor AMI Trides	A-26.111.000
	Monitor AMI Trides; compact	A-26.111.100
Option:	[] 3 rd current signal output (0/4 – 20mA)	A-81.410.020
	[] Profibus DP interface	A-81.420.020
	[] HyperTerminal interface (RS-232)	A-81.420.010
	[] Modbus interface	A-81.420.022
	[] USB interface	A-81.420.040
Option:	[] pH measurement	A-87.127.010
	[] ORP measurement	A-87.427.010
Option:	[] O-Ring set for ozone measurement	A-83.590.060

