
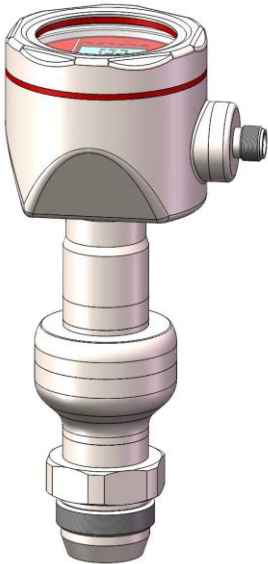


Product introduction

Description



Vertical installation



Horizontal installation

Sanitary pressure transmitter

Sanitary pressure transmitter, designed for food and pharmaceutical industry, is suitable for CIP/SIP cleaning and sterilization. Smart compact design, the welded process diaphragm medium parts is made of high quality stainless steel 316L, roughness $\leq 0.4\mu\text{m}$, filling fluid with hygiene standard in line with FDA certification, variety of international standard process connections are available.

Main parameters

Pressure types	Gauge pressure
Measuring range	10kPa-10MPa, please refer to the ordering information chapter
Output signal	4-20mA, 4-20mA+HART, customer
Reference accuracy	$\pm 0.2\%$ URL, $\pm 0.5\%$ URL

Measuring medium

The fluids which compatible with wetted parts

Field of application

Pressure, level

Approvals



Technical specifications

Measuring range and limit

Nominal value	Smallest calibratable span	Lower range limit (LRL)	Upper range limit (URL)	Overpressure limit *
40kPa	10kPa	-40kPa	40kPa	25MPa
250kPa	25kPa	-100kPa	250kPa	25MPa
1MPa	100kPa	-100kPa	1MPa	25MPa
3MPa	300kPa	-100kPa	3MPa	25MPa
10MPa	1MPa	-100kPa	10MPa	25MPa

The unit of the measuring range above can be converted into kg/cm²、MPa and kPa. Provide other measuring range according to requirements. Adjust requirements: lower range value (LRV) and upper range value (URV) can be adjusted within the scope of the upper and lower range limit, minimum measuring range ≤ | URV - LRV | ≤ maximum measuring range.

*Overvoltage value: depending on the pressure value of the weakest parts

Standard specifications and reference conditions

Test standard: GB/T28474/IEC60770; Zero based-calibration span, Linear output, Silicone oil filling, 316L stainless steel isolation diaphragm

Power supply effects

Zero and span change should not be more than ± 0.005% URL/V when power supply changes in 10.5/16.5-55VDC

Performance specifications

The overall performance including but not limited to 【reference accuracy】 , 【environment temperature effects】 and other comprehensive error

Typical accuracy: ±0.2URL

Stability: ±0.2% URL/ 1year

Loading effects

Zero and span change should not be more than ± 0.05% URL/kΩ

Mounting position effects

Install error less than 1.7kPa, which can be corrected by PV=0 reset

Reference accuracy

Including linearity(BFSL), hysteresis and repeatability. calibration temperature: 20°C±5°C

Linear output accuracy	TD≤10 (Note1)	±0.2%URL	Nominal value: 40kPa , 250kPa 1MPa, 3MPa 10MPa
	Max value	±0.5%URL	

The accuracy of square root output is 1.5 times of above linear reference output accuracy.

Note 1: TD is Turn down, TD=URL/ | URV-LRV |

Vibration effects

Vibration resistance	According to IEC60068-2-6 , 10g RMS (25-2000HZ)
Impact resistance	According to IEC60068-2-27 , 500g/1ms

Ambient temperature effects(Typical)

Within the range - 20-80 °C total impact ±0.2%URL/10k

Output signal

Signal	Type	Output
4-20mA	Linearity	Two wire
4-20mA+HART	Linearity	Two wire

Disclaimer: all the data used in the product description is not legally binding. Relevant technical details may be changed due to further improve

Technical Specifications

Insulation resistance

≥ 20M Ω@ reference, 100VDC

Damping time

Total damping time constant: equal to the sum of damping time of amplifier and sensor capsule
Damping time of amplifier : 0-100S adjustable
Diaphragm capsule (isolation sensor diaphragm and silicon oil filling) damping time: ≤0.2S
Startup after power off : ≤6S
Normal services after data recovery : ≤31S

Weight

Net weight: about 1.23kg(without mounting brackets and process connection accessories)

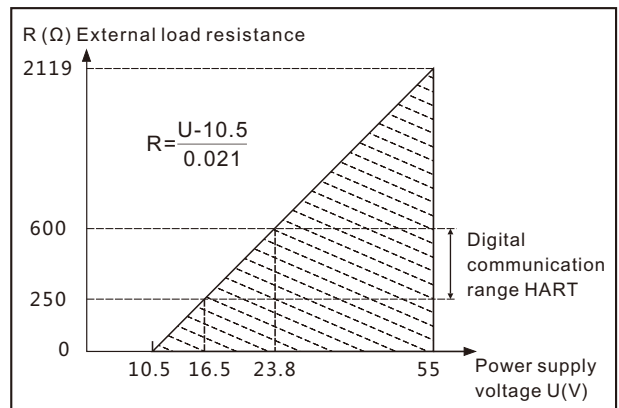
Environment condition

Items	Operational condition
Working temperature	-40-85°C, integrated LCD display: -20-70°C
Storage temperature	-40-110°C, integrated LCD display: -40-85°C
Media temperature	Sanitary fluid filling sensor : -10-125°C
	Silicon oil filling: -40-120°C
Working humidity	0-95%RH
Protection class	IP67
Dangerous condition	ExialICT4(GYB13.1139X)*
*Please contact the engineer for further information	

Power supply

Item	Operating conditions
Standard	10.5-55VDC
HART protocol	16.5-55VDC, Communication load resistance 250Ω
Load resistance	0-2119 Ω for working condition, 250-600Ω for HART protocol
Transmission distance	<1000m
Power consumption	≤500mW@24VDC , 20.8mA

Power supply and load requirements



Technical Specifications
EMC environment(not RS485 signal output)

NO.	Test items	Basic standards	Test conditions	Performance level
1	Radiated interference	GB/T 9254/CISPR22	30MHz-1000MHz	OK
2	Conducted interference (DC power port)	GB/T 9254/CISPR22	0.15MHz-30MHz	OK
3	Electrostatic discharge immunity test (ESD)	GB/T 17626.2/IEC61000-4-2	4kV(Contact),8kV(Air)	B(Note2)
4	Immunity to radio frequency EM-fields	GB/T 17626.3/IEC61000-4-3	10V/m(80MHz-1GHz)	A(Note1)
5	Power frequency magnetic field Immunity test	GB/T 17626.8/IEC61000-4-8	30A/m	A(Note1)
6	Electrical fast transient / Burst Immunity Test	GB/T 17626.4/IEC61000-4-4	2kV(5/50ns,100kHz)	B(Note2)
7	Surge immunity requirements	GB/T 17626.5/IEC61000-4-5	1kV(Line to line) 2kV(Line to ground) (1.2us/50us)	B(Note2)
8	Immunity to conducted disturbances induced by radio frequency fields	GB/T 17626.6/IEC61000-4-6	3V(150kHz-80MHz)	A(Note1)

(Note 1)Performance level A: The performance within the limits of normal technical specifications.

(Note 2)Performance level B: Temporary reduction or loss of functionality or performance, it can restore itself. The actual operating conditions, storage and data will not be changed.

Menu function

Specific menu

Transmission module type

Output signal	Local control	Remote control
4-20mA+HART	LCD/3 buttons on body	HART
4-20mA	LCD/3 buttons on body	-

LCD display unit

Display mode	Details
PV	Process variable shows on main screen, percentage and progress bar shows on secondary screen
mA	Current shows on main screen, percentage and progress bar shows on secondary screen
%	Percentage shows on main screen, percentage and progress bar shows on secondary screen

Unit

Unit	Definition
kPa	Kilopascal
MPa	Megapascals
bar	Bar
psi	Pounds per square inch
mmHg	Millimetre(s) of mercury@0°C
mmH2O	Millimeter of water@4°C
mH2O	Meter of water@4°C
inH2O	Inches of water@4°C
ftH2O	Feet of water@4°C
inHg	Inches of mercury@0°C
mHg	Meter mercury column@0°C
TORR	Torr
mbar	Millibar
g/cm2	Gram per square centimeter
kg/cm2	Kilogram per square centimeter
Pa	PA
ATM	Standard atmospheric pressure
mm	Millimeter(Note1)
m	Meter(Note1)

Note1: length unit need mark medium density

Measuring menu set

Mark	State
URV	Upper range value, 20mA
LRV	Lower range value, 20mA

Damping time

Units	Setting range
S	0-100

Analog output type

Parameters	Output type
mA LINER	Linearity
mA $\sqrt{\quad}$	Square root

Alarm signal

Parameters	Alarm signal
ALARM NO	None
ALARM H	20.8mA
ALARM L	3.8mA

Fix output

Parameters	Fix output value
FIX/C NO	None
3.8000	3.8000mA
4.0000	4.0000mA
8.0000	8.0000mA
12.000	12.000mA
16.000	16.000mA
20.000	20.000mA
20.800	20.800mA

Quick menu

Parameter	Instruction
PV=0	Set current output to zero value, used to correct the error caused by static pressure and installation.
Zero adjustment	4mA re-range with pressure
Span adjustment	20mA re-range with pressure
Restore factory setting	Restore backup data when error

Disclaimer: all the data used in the product description is not legally binding. Relevant technical details may be changed due to further improve

Product selection instruction

Sensor select instruction

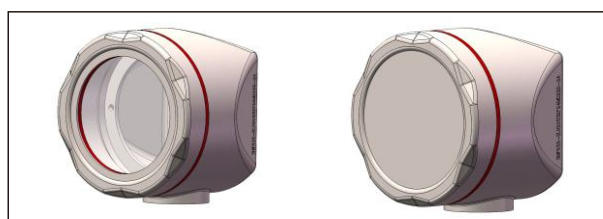
Code	Nominal value	Description
H403G	40kPa	Range -40kPa-40kPa, smallest calibratable span 10kPa
H254G	250kPa	Range -100kPa-250kPa, smallest calibratable span 25kPa
H105G	1MPa	Range -0.1MPa-1MPa, smallest calibratable span 100kPa
H305G	3MPa	Range -0.1MPa-3MPa, smallest calibratable span 300kPa
H106G	10MPa	Range -0.1Pa-10MPa, smallest calibratable span 1MPa

Adjust requirements: lower range value (LRV) and upper range value (URV) can be adjusted within the scope of the upper and lower range limit, minimum measuring range $\leq |URV - LRV| \leq$ maximum measuring range

Electrical connection

Code	Item	Description
F1	Electrical connection	Stainless steel terminal, aviation plug M12*1 (4 pin) (H2), IP67, vertical mounting
F2		Stainless steel terminal, aviation plug M12*1 (4 pin) (H2), IP67, horizontal mounting

Housing(F1)



Housing(F2)



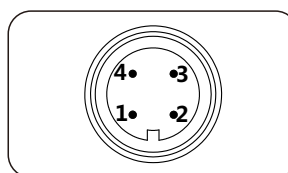
Aviation plug, M12*1, 4 pin(H2)



Aviation plug, M12*1, 4 pin(H2)

Aviation plug, M12*1, 4 pin(H2)

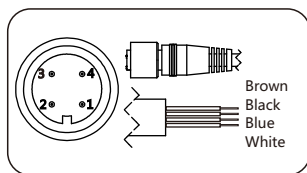
Label	Two wires
1	Power+
2	
3	Key-z
4	Power -



Product selection instruction

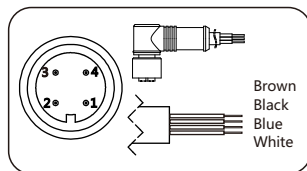
Electrical connection accessories

Aviation plug straighter(J1)



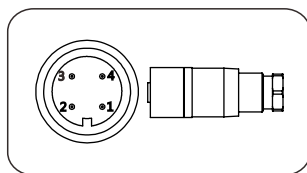
Label	Two wires
1/Brown	Power+
2/White	
3/Blue	Key-z
4/Black	Power -

Aviation plug elbow(J2)



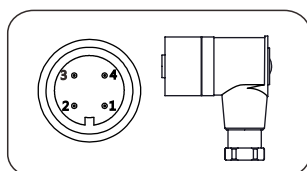
Label	Two wires
1/Brown	Power+
2/White	
3/Blue	Key-z
4/Black	Power -

Aviation plug straighter(J4)



Label	Two wires
1	Power+
2	
3	
4	Power -

Aviation plug elbow(J5)



Label	Two wires
1	Power+
2	
3	
4	Power -

Transmission module

Code	Items	Description
F	Output signal	4-20mA two wire, power supply: 10.5-55VDC
H		4-20mA+HART two wire, power supply: 16.5-55VDC
A	Display	Without display
C		With LCD display

Display module (C)

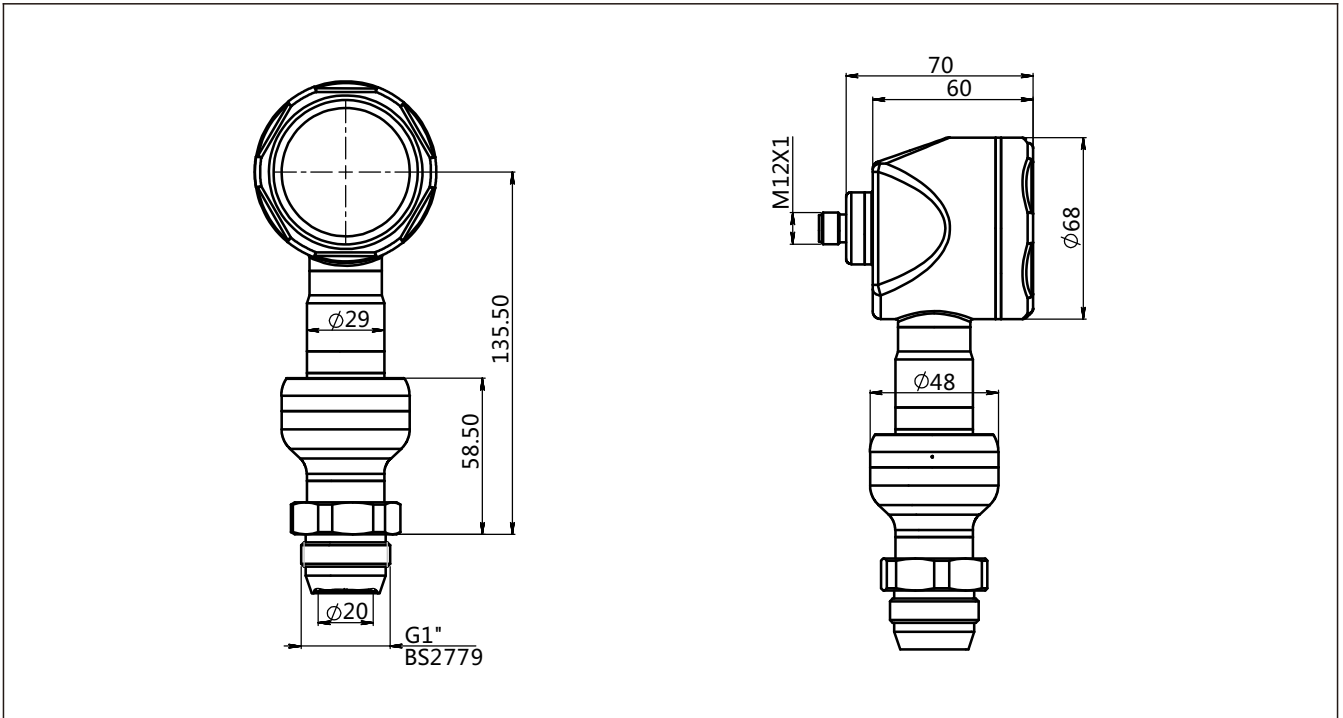


Process connection select instruction

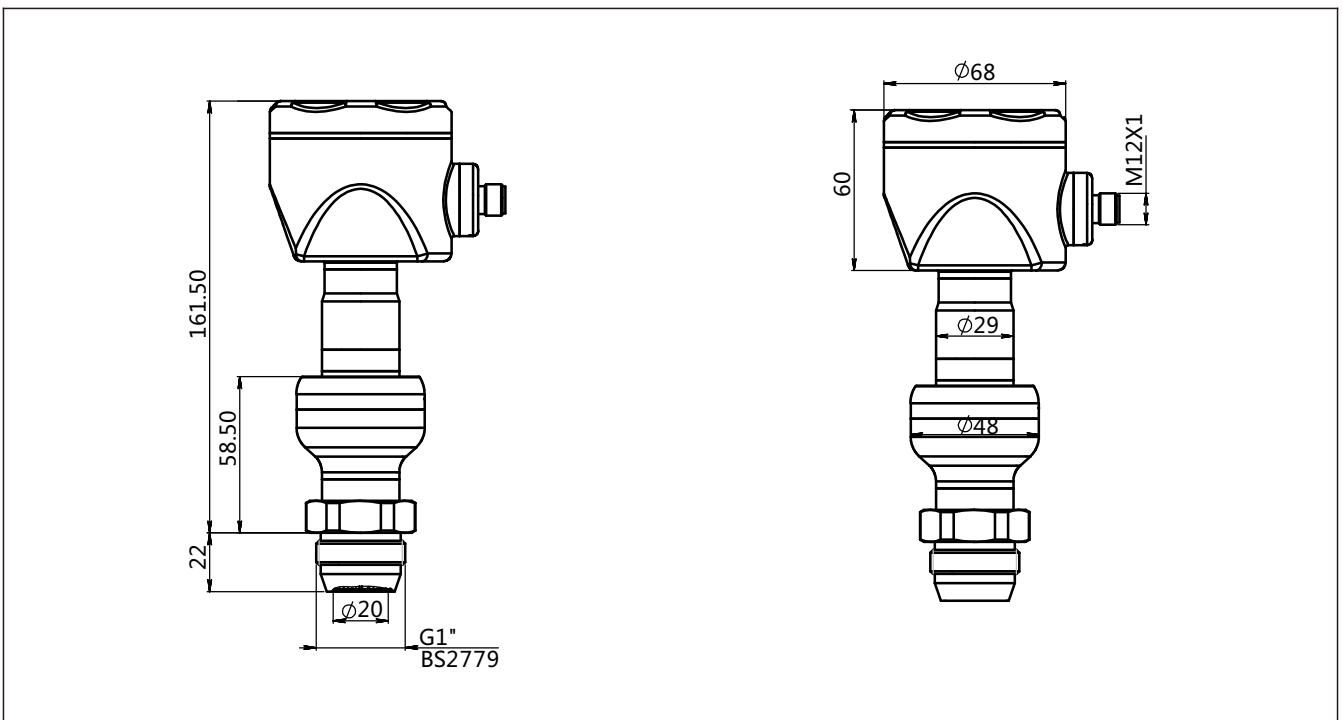
Code	Items	Description
4	Process connector material	Stainless steel, SUS304
6		Stainless steel, SUS316
NT	Connection type	Standard connection, medium temperature: -25-85°C
F	Isolation fluid filling	Sanitary fluid filling, Neobee M-20, process temperature: -10-180°C
S		Silicon oil filling, process temperature: -45-205°C
S	Isolation diaphragm material	Stainless steel, SUS316L
H		Hastelloy C
M01	Process connection specifications	M20*1.5(M), GB/T193-2003, ISO261
G01		G1/2(M), GB/T7307, ISO228, BS2779
G07		G1-1/2(M), GB/T7307, ISO228, BS2779
G12		G1(M), metal seal GB/T7307, ISO228, BS2779

Product drawing and dimension

Standard drawing and dimension with display(C) / without display (A) vertical installation(F1) (unit:mm)



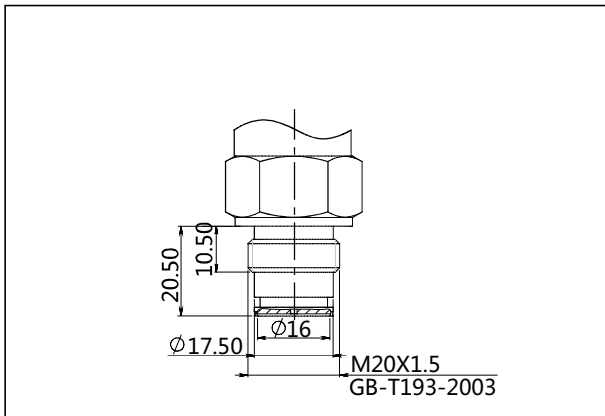
Standard drawing and dimension with display(C) / without display (A) horizontal installation(F2) (unit:mm)



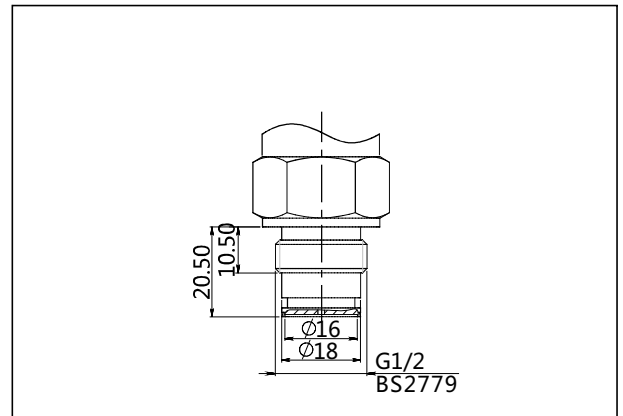
Disclaimer: all the data used in the product description is not legally binding. Relevant technical details may be changed due to further improve

Product drawing and dimension

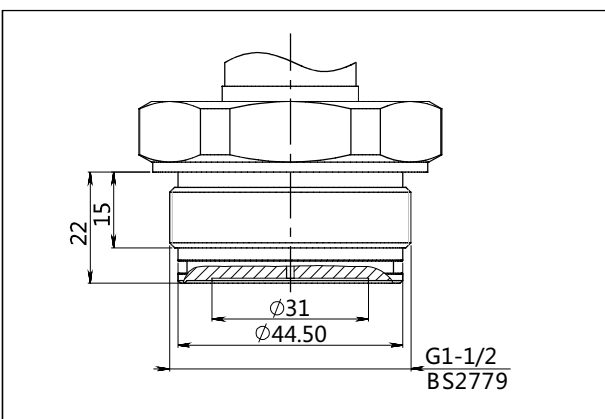
Process connection(M01)(unit:mm)



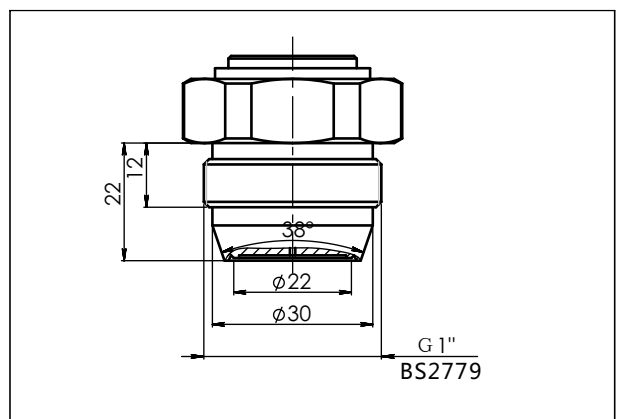
Process connection(G01)(unit:mm)



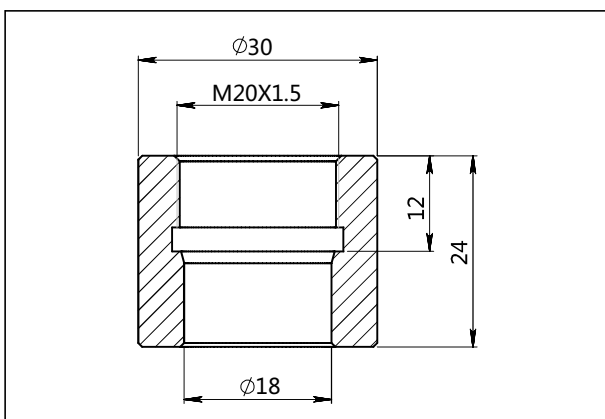
Process connection(G07)(unit:mm)



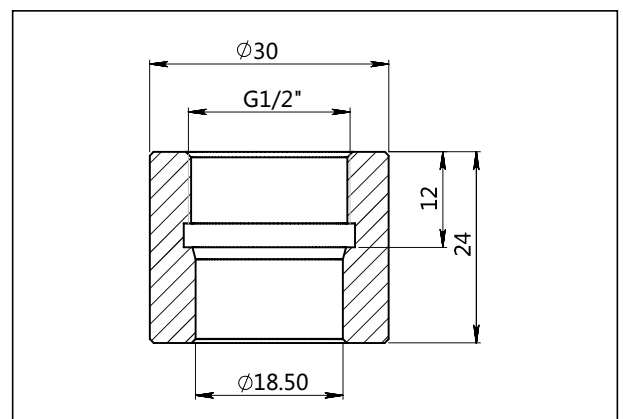
Process connection(G12)(unit:mm)



Welding adaptor(Z3)(unit:mm)



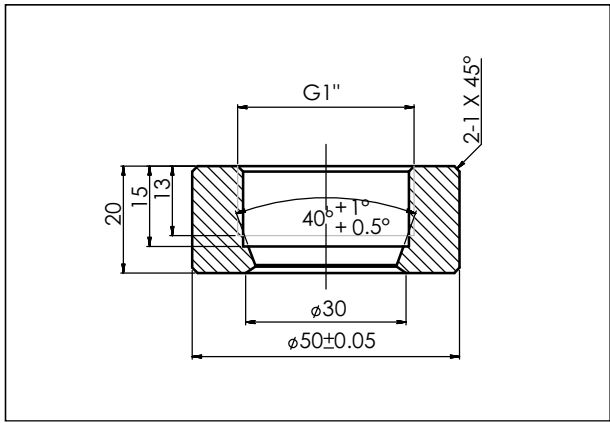
Welding adaptor(Z4)(unit:mm)



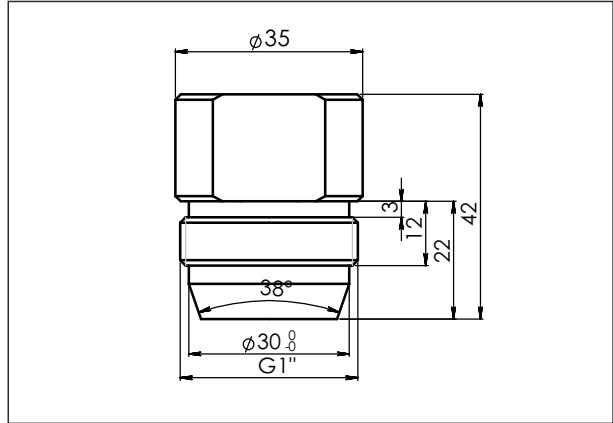
Disclaimer: all the data used in the product description is not legally binding. Relevant technical details may be changed due to further improve

Product drawing and dimension

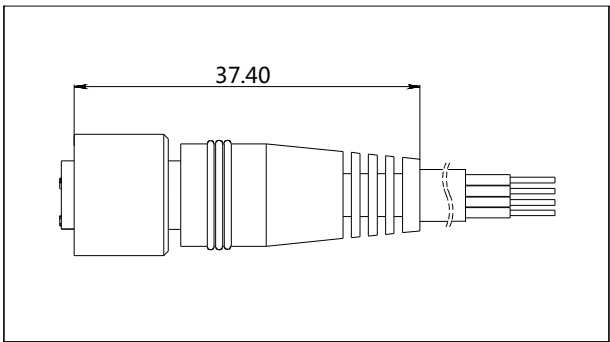
Welding adaptor(Z5)(unit:mm)



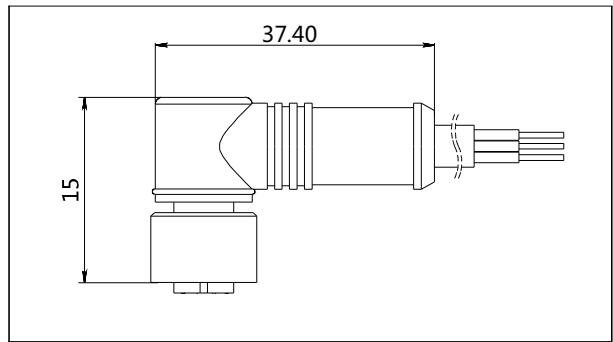
Welding accessory(H1)(unit:mm)



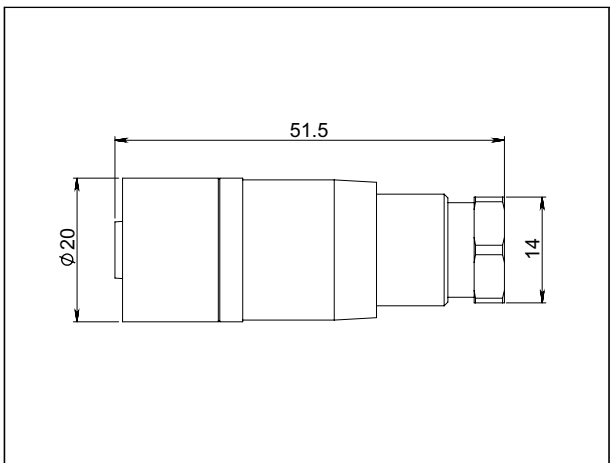
Air female plug straighter(J1)(unit:mm)



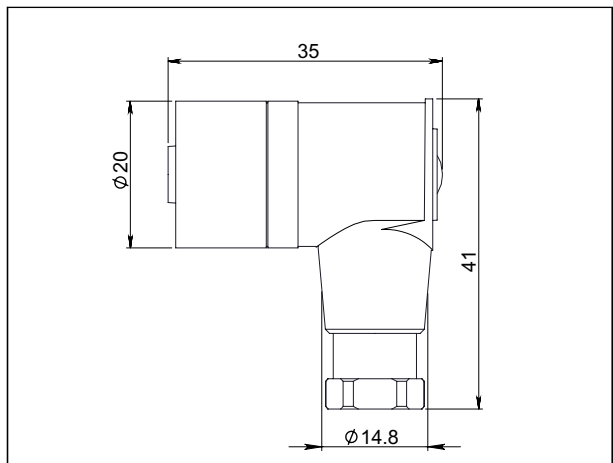
Air female plug elbow(J2)(unit:mm)



Air female plug straighter(J1)(unit:mm)



Air female plug elbow(J2)(unit:mm)



Disclaimer: all the data used in the product description is not legally binding. Relevant technical details may be changed due to further improve

Ordering information chapter

Item	Parameters	Code	Instruction	(*) fast delivery available
	Model	SMP858-TSF	Piezoresistive single crystal silicon gauge pressure transmitter	
Sensor	Separator	-	Detailed specifications as following	
	Pressure range code	H403G	Nominal value(URL): 40kPa(gauge pressure)	
		H254G	Nominal value(URL): 250kPa(gauge pressure)	*
		H105G	Nominal value(URL): 1MPa(gauge pressure)	*
		H305G	Nominal value(URL): 3MPa(gauge pressure)	*
		H106G	Nominal value(URL): 10MPa(gauge pressure)	
Electrical connetion	Separator	-	Detailed specifications as following	
	Electrical connetion	F1	Stainless steel terminal, aviation plug M12*1 (4 pin) (H2), IP67, vertical mounting	*
		F2	Stainless steel terminal, aviation plug M12*1 (4 pin) (H2), IP67, horizontal mounting	*
Output	Separator	-	Detailed specifications as following	
	Output signal	H	4-20mA+HART two wire, power supply: 16.5-55VDC	
		F	4-20mA two wire, power supply: 10.5-55VDC	*
	Display	C	LCD display	*
		A	Without LCD display	
Aconnection	Separator	-	Detailed specifications as following	
	Process connector material	4	Stainless steel SUS304	*
		6	Stainless steel SUS316	
	Connection type	NT	Standard connection, suitable for medium temperature - 25-85°C	*
	Isolation fluid filling	F	Sanitary filling fluid, Neobee M-20, process temperature: -10-180°C	*
		S	Sillicon oil, process temperature: -45-205°C	*
	Isolation diaphragm material	S	SUS316L stainless steel	*
		H	Hastelloy C	
	Process connection specifications	M01	M20*1.5(M), GB/T193-2003, ISO261, suitable range:250kPa-40MPa	*
		G01	G1/2(M), GB/T7307,ISO228, BS2779, suitable range:250kPa-40MPa	*
		G07	G1-1/2(M), GB/T7307,ISO228, BS2779, suitable range:10kPa-40MPa	
		G12	G1(M), metal seal GB/T7307, ISO228,BS2779, suitable range:10kPa-10MPa	
Additional options	Separator	-	Detailed specifications as following	
	Electrical connection accessory	/J1	Air female plug (straighter) with 2m cable, 4 pin, M12*1, IP67	*
		/J2	Air female plug (elbow) with 2m cable, 4 pin, M12*1, IP67	*

Disclaimer: all the data used in the product description is not legally binding. Relevant technical details may be changed due to further improve

Ordering information chapter

		/J4	Air female plug (straighter) without cable, 4 pin, M12*1, IP67	*
		/J5	Air female plug (elbow) without cable, 4 pin, M12*1, IP67	*
	Process connection accessory	/Z3	Welding adaptor, M20*1.5 (Female), SUS316	*
		/Z4	Welding adaptor, G1/2 (Female), SUS316	
		/Z5	Welding adaptor, G1 (Female), SUS316	*
	Welding accessory	/H1	Welding adaptor, Tri-clamp 2" clamp	
	Calibration report	/Q1	Calibration report provided by our company	*
	Approvals (multiple)	/I1	Intrinsic safety certificate, ExialICT4, NEPSI	*
		/F3	CE certificate	*

Factory settings and parameters

Item	Menu mark	Factory setting value
Tag position	None	0 (no specific settings)
Analog output type	mA	LINER(no specific settings)
display mode	DISP	P(no specific settings)
Alarm signal	ALARM	No (no specific settings)

Item	Menu mark	Factory setting value
Damping value	DAMP	0(no Specific settings)
4mA Lower range value	LRV	According to the order value
20mA Upper range value	URV	According to the order value
Process unit	U	According to the order

Approvals

Factory certificate

Certificate organization	Intertek
Quality management system	ISO9001-2008
Scope of certification	Design and production of pressure transmitter
Registration number	110804039

CE

Licence scope	PRESSURE TRANSMITTER
Standard	EN61000-6-2 : 2005
	EN61000-6-4 : 2007
Registered number	AC/0100708



scan & follow LEEG wechat



check website for more info



Shanghai LEEG Instruments Co.,Ltd

ADD: No.100 Duhui Road, Minhang District, Shanghai China
 Postcode:201109
 Tel: (86) 21-31261976
 Fax: (86) 21-31261975
 E-mail:sales@leeg.cn info@leeg.cn
 Web: www.leeg.cn